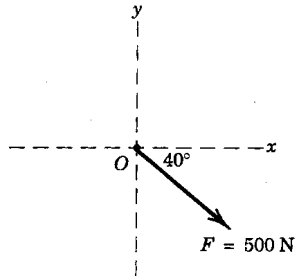


2/1 The force \mathbf{F} has a magnitude of 500 N. Express \mathbf{F} as a vector in terms of the unit vectors \mathbf{i} and \mathbf{j} . Identify the x and y scalar components of \mathbf{F} .

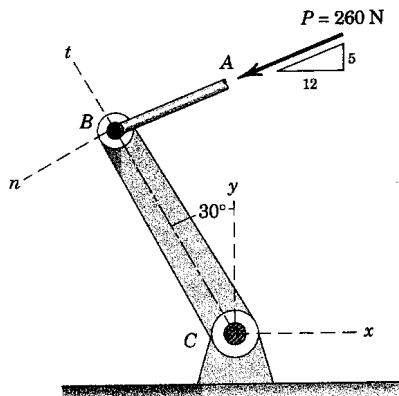
Ans. $\mathbf{F} = 383\mathbf{i} - 321\mathbf{j}$ N, $F_x = 383$ N, $F_y = -321$ N



Problem 2/1

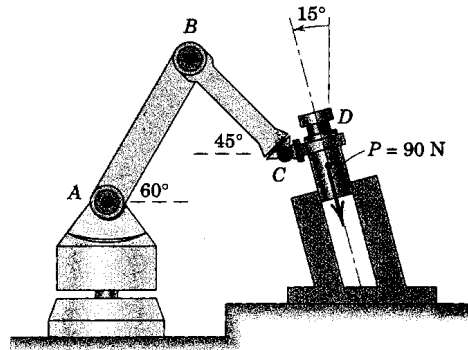
2/11 In the design of a control mechanism, it is determined that rod AB transmits a 260-N force \mathbf{P} to the crank BC . Determine the x and y scalar components of \mathbf{P} .

Ans. $P_x = -240$ N
 $P_y = -100$ N



Problem 2/11

2/24 In the design of the robot to insert the small cylindrical part into a close-fitting circular hole, the robot arm must exert a 90-N force P on the part parallel to the axis of the hole as shown. Determine the components of the force which the part exerts on the robot along axes (a) parallel and perpendicular to the arm AB , and (b) parallel and perpendicular to the arm BC .



Problem 2/24